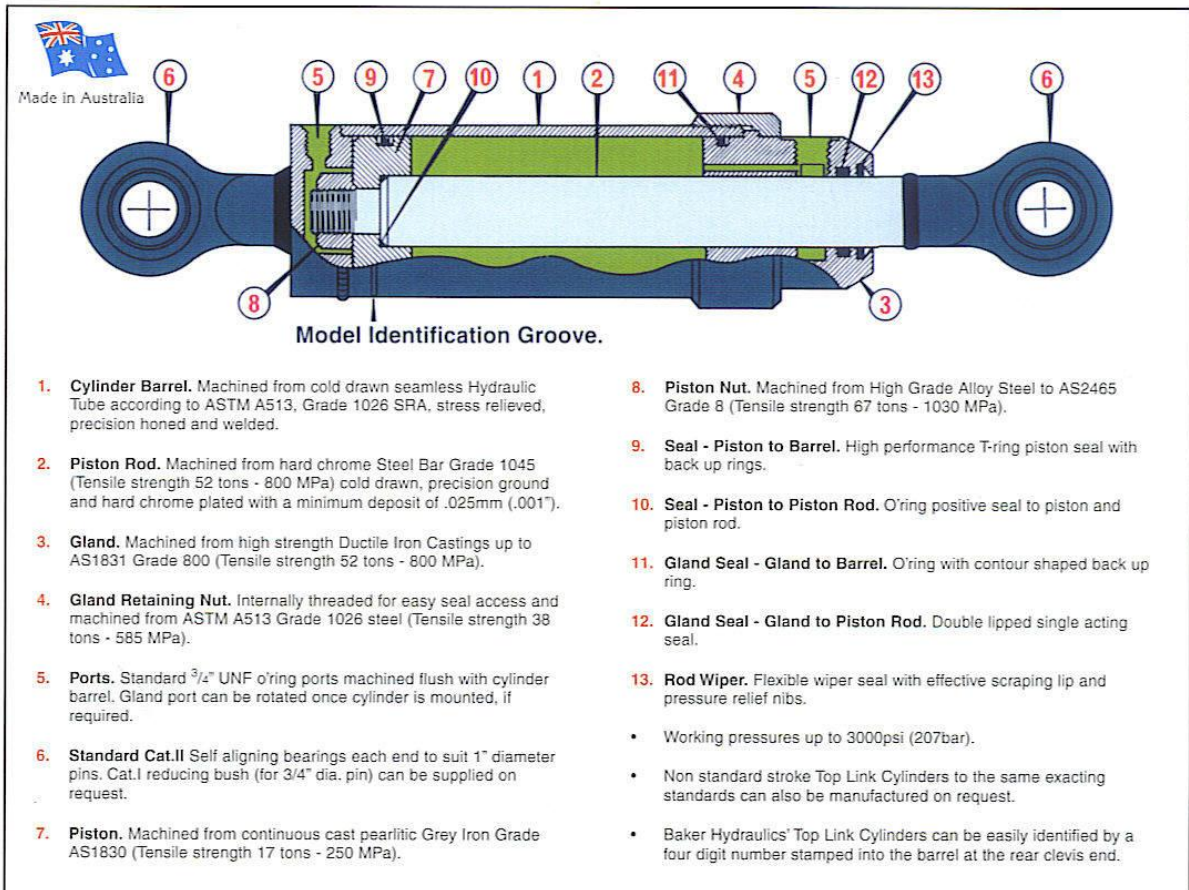
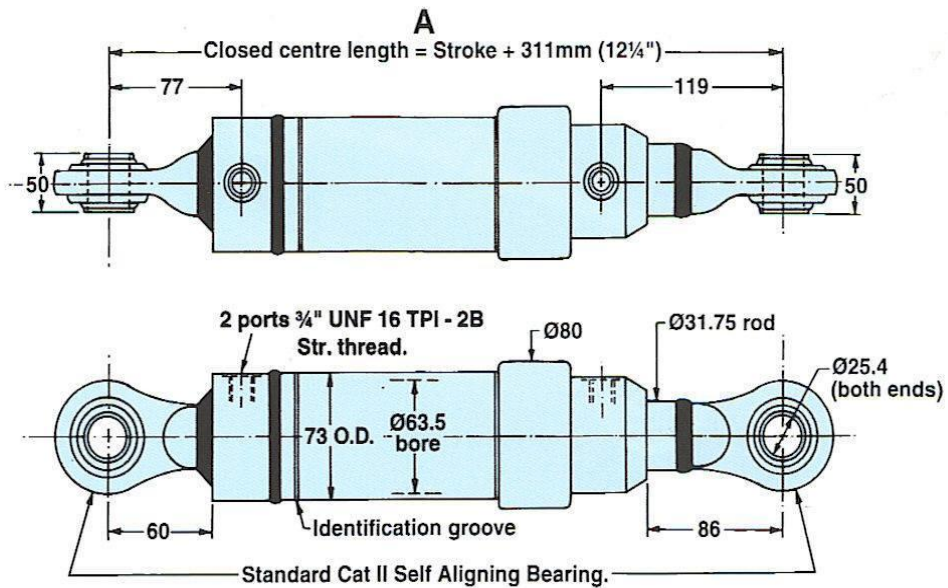


Baker Hydraulic's "Top Link" Hydraulic Cylinders self aligning bearings at both ends, especially designed to facilitate attachment to 3 point linkage equipment. have been developed from the proven "Apex II" design and come complete with standard Cat.II linkage equipment.



# INSTALLATION DIMENSIONS

# TOP LINK



Bore x Stroke Inches (mm)	A Closed Centres Inches (mm)	Approx. Mass Kg
2.5" x 8" (203)	20.25" (514)	10
2.5" x 12" (305)	24.25" (616)	11

Note: Due to product improvement specifications can change without notice.



10-14 MAUD STREET, NEWSTEAD, 4006  
P.O. BOX 50, FORTITUDE VALLEY, 4006  
Email: sales@industrialhyd.com.au

PHONE: (07) 3854 1232

FAX: (07) 3252 2346