

# BAKER HYDRAULICS

PTY LTD

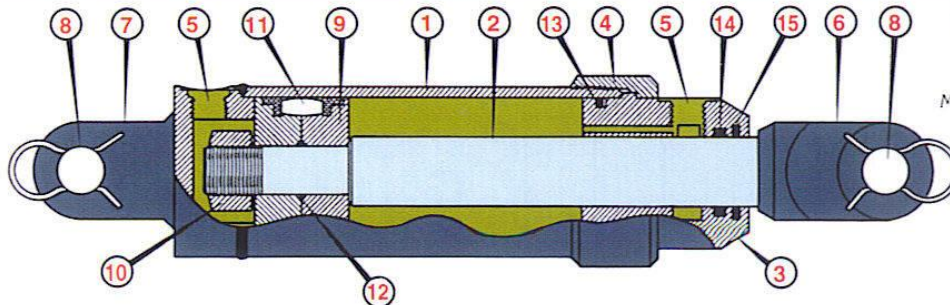
A.B.N. 59 056 424 625

## Super-Ag Series Heavy Duty Agricultural Type Hydraulic Cylinders



Baker Hydraulic's "Super-Ag series" Hydraulic Cylinders have been developed as a complementary range to the highly successful "Apex II series".

Designed to suit the more arduous application, where a heavier duty industrial style cylinder is required.

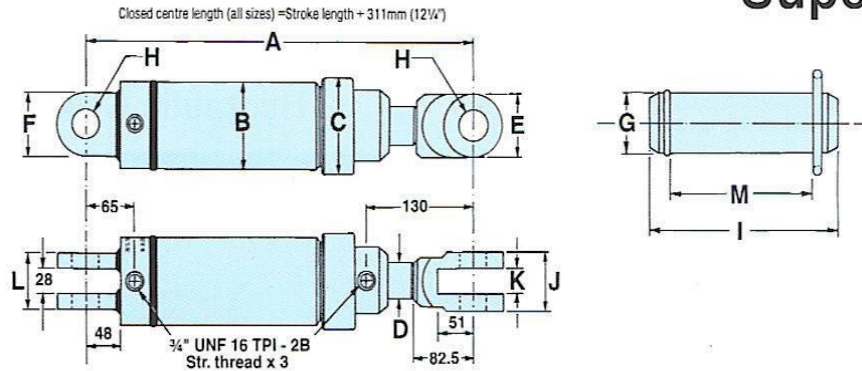


Made in Australia

1. **Cylinder Barrel.** Machined from cold drawn seamless Hydraulic Tube according to ASTM A513, Grade 1026 SRA, stress relieved, precision honed and welded.
2. **Piston Rod.** Machined from hard chrome Steel Bar Grade 1045 (Tensile strength 52 tons - 800 MPa) cold drawn, precision ground and hard chrome plated with a minimum deposit of .025mm (.001").
3. **Gland.** Machined from high strength Ductile Iron Castings up to AS1831 Grade 800 (Tensile strength 52 tons - 800 MPa).
4. **Gland Retaining Nut.** Internally threaded for easy seal access and machined from ASTM A513 Grade 1026 steel (Tensile strength 38 tons - 585 MPa).
5. **Ports.** Three (3) standard 3/4" UNF o'ring ports machined flush with the cylinder barrel. The additional third port in the end cap provides a side-port option and is supplied fitted with steel UNF o'ring plug. The gland port can be rotated as required.
6. **Rod Knuckle.** Screw on cast knuckle, material high strength Ductile iron to AS1831 Grade 400 (Tensile strength 26 tons - 400 MPa). Machined for standard clevis pin and clearance for 1" lug.
7. **Cylinder Clevis.** Fabricated from AISI Grade 1020 Steel machined for standard pin and clearance for 1" lug.
8. **Clevis pins and Linch pins.** Pins and linch pins are supplied with all Super-Ag cylinders. Pins are machined from AISI Grade 1030 Steel (Tensile strength 36 tons - 555 MPa) and zinc plated to AS1789. Refer to chart for sizes.
9. **Piston.** comprises two (2) identical halves, precision machined from AISI grade 1020 steel to suit heavy duty industrial seals.
10. **Piston Nut.** Machined from High Grade Alloy Steel to AS2465 Grade 8 (Tensile strength 67 tons - 1030 MPa).
11. **Seal - Piston to Barrel.** Robust heavy duty high pressure seal assembly comprising an industrial double acting fluid seal supported by two (2) "L" shaped polyacetal bearing rings.
12. **Seal - Piston to Piston Rod.** O'ring positive seal to piston and piston rod.
13. **Gland Seal - Gland to Barrel.** O'ring with contour shaped back up ring.
14. **Gland Seal - Gland to Piston Rod.** Double lipped single acting seal.
15. **Rod Wiper.** Flexible wiper seal with effective scraping lip and pressure relief nibs.
  - Working pressures up to 3000psi (207bar) & can vary according to bore diameter and length of stroke.
  - Super-Ag Cylinders are available in a wide range of standard bore sizes and strokes. Refer chart over-leaf for details.
  - Non standard stroke Super-Ag Cylinders to the same exacting standards can also be manufactured on request.
  - Baker Hydraulics' Super-Ag Cylinders can be easily identified by a four digit number stamped into the barrel at the rear clevis end.

# INSTALLATION DIMENSIONS

## Super-Ag



BORE X STROKE inches (mm)	A CLOSED CENTRES inches (mm)	B mm	C mm	D mm	E mm	F mm	G inches	H mm	I mm	J mm	K mm	L mm	M mm	JOURNAL THREAD inches	APPROX MASS kg
2.5" x 8" (203)	20.25" (514)														11
2.5" x 12" (305)	24.25" (616)														12
2.5" x 16" (406)	28.25" (718)														13
2.5" x 18" (457)	30.25" (769)	73	80												15
2.5" x 20" (508)	32.25" (819)														16
2.5" x 24" (610)	36.25" (921)														18
2.5" x 30" (762)	42.25" (1073)														20
2.5" x 36" (914)	48.25" (1226)														23
2.5" x 48" (1219)	60.25" (1530)														27
3" x 8" (203)	20.25" (514)			38.10	51	50.8	1" Ø (25.4)	25.55 25.75	95	68	27	60	69	1 1/8 UNF 12TPI	13
3" x 12" (305)	24.25" (616)														15
3" x 16" (406)	28.25" (718)	87	95												17
3" x 18" (457)	30.25" (769)														18
3" x 24" (610)	36.25" (921)														21
3" x 30" (762)	42.25" (1073)														25
3" x 36" (914)	48.25" (1226)														28
4" x 8" (203)	20.25" (514)														24
4" x 12" (305)	24.25" (616)														27
4" x 16" (406)	28.25" (718)														31
4" x 18" (457)	30.25" (769)	114.3	125	50.8											33
4" x 24" (610)	36.25" (921)														36
4" x 30" (762)	42.25" (1073)														40
4" x 36" (914)	48.25" (1226)														45
5" x 8" (203)	20.25" (514)				70	70	1 1/4 Ø (31.75)	31.90 32.08	115	88	27	78	89	1 1/2 UNF 12TPI	35
5" x 12" (305)	24.25" (616)														40
5" x 16" (406)	28.25" (718)														45
5" x 18" (457)	30.25" (769)	143	157	63.5											48
5" x 24" (610)	36.25" (921)														56
5" x 30" (762)	42.25" (1073)														64
5" x 36" (914)	48.25" (1226)														72

Note: Due to product improvement specifications can change without notice.



10-14 MAUD STREET, NEWSTEAD, 4006  
P.O. BOX 50, FORTITUDE VALLEY, 4006  
Email: sales@industriahydr.com.au

PHONE: (07) 3854 1232

FAX: (07) 3252 2346