

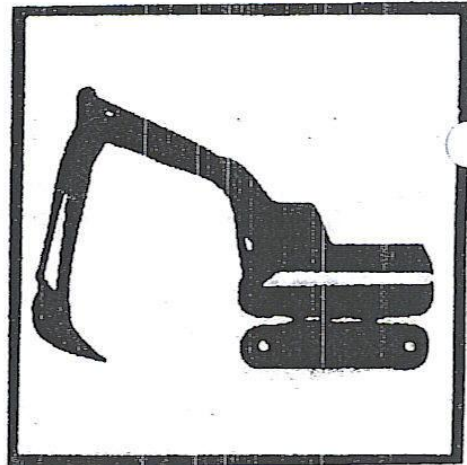


PO BOX 50, FORT. VALLEY 4006  
 10-14 MAUD STREET, NEWSTEAD 4006  
 PHONE: (07) 3854 1232 Fax: (07) 3252 2346

# INDUSTRIAL HYDRAULICS

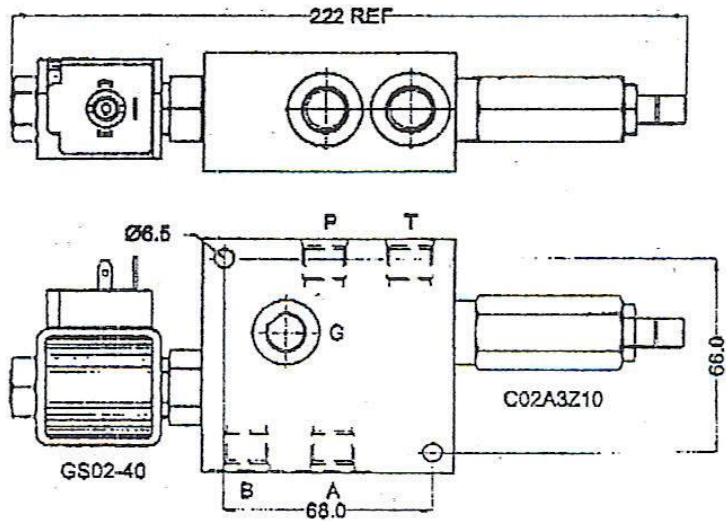
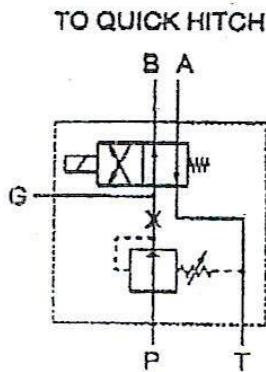
## Quick Hitch Valve

### OP137ME24DC



#### Features:

- Economically priced
- Dirt tolerant direct acting valves
- Ultra compact design
- Ductile cast iron body
- Gauge port on reduced pressure side
- Reduced pressure to quick hitch cylinder
- Orifice allows connection to high flow circuits
- Can be converted to a 3 position valve suitable for Tilt Bucket operation or Hammer pilot control
- 9/16" UNF O ring seal ports for positive sealing & easy adaptation to all thread types including ORFS.



#### Specifications

- Max inlet pressure..... 350 bar
- Reduced pressure range..... 138-186 bar (std)
- Ports service & gauge..... 9/16" UNF
- 100% Heavy Duty coils..... 19 watt
- 12 & 24 DC - 115 & 240 AC coils..... 24DC (std)
- Weight..... 2.1 kg