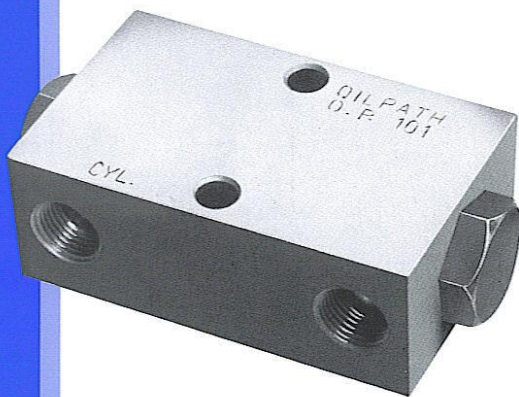


OILPATH

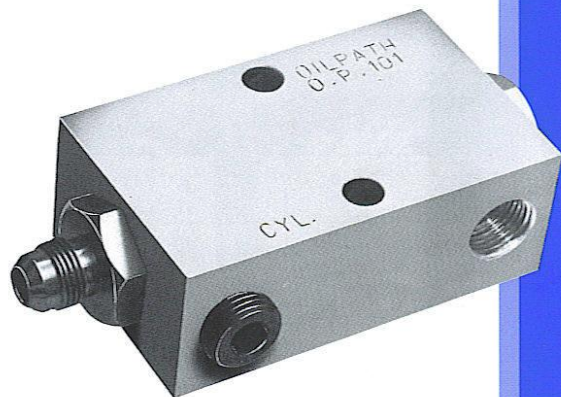
OP 101

DOUBLE LOCK VALVE



OP 101/1

For insertion in hose lines
between control valve and double
acting cylinder



OP 101/C

For direct mounting to double
acting cylinder base port and via
metal tubeline to gland port

Manufactured from aluminium alloy.

Hardened steel check seats.

Pilot spool area to check seat area ratio 3:1.

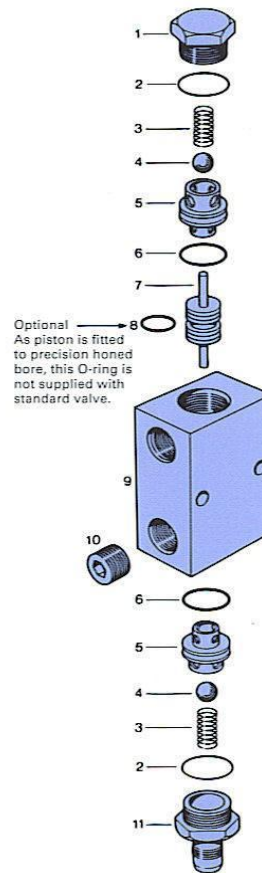
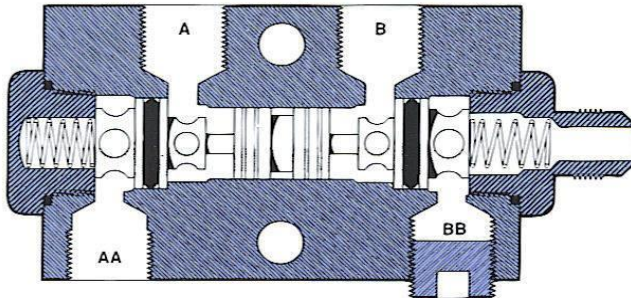
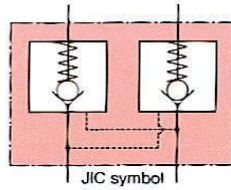
Flow capacity up to 12 gpm (54 litres)

Working pressure up to 3000 psi (20.68 MPa)

Standard port size ½" BSP-T

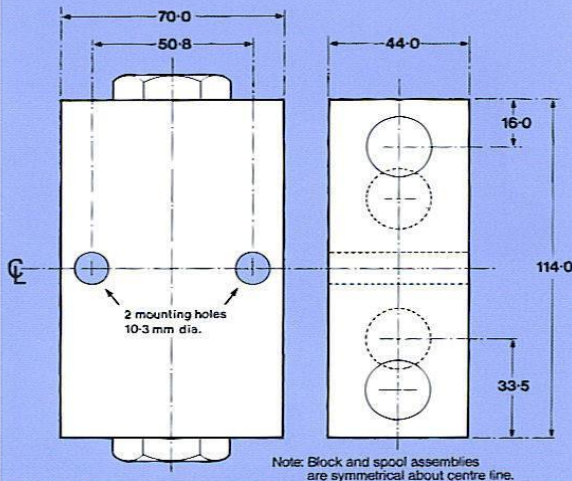
Schematic

Cutaway view and parts diagram shown for model OP101/C.
For model OP101/I replace 3/4" JIC nipple (11) with 1 1/8" plug (1) and remove port plug (10).



Optional
As piston is fitted to precision honed bore, this O-ring is not supplied with standard valve.

Dimensions



Ref.	Part	Item	Ref.	Part	Item
1	240012	1 1/8" UNF plug	7	249005	Spool
2	401013	O-ring, BS119	8	401008	O-ring, BS113
3	416011	Spring	9	220003	Body 1/2" BSP-T
4	417006	Ball, 1/2"	10	412002	Plug, 1/2" BSP-T
5	401010	O-ring, BS116			

Options (available on special order);

- 3/4" UNF O-ring 16TPI ports
- 3/8" BSP-T ports
- Piston fitted with O-ring

WARRANTY

*Oipath products are warranted to be free of defects in material or workmanship.
This Warranty voids all other warranties, whether expressed or implied, and shall be in effect for six months from date of purchase.
The Warranty is limited to replacement or repair, excluding seals or damage arising from misuse or incorrect installation.
The Company accepts no liability for faults caused by improper use or faulty maintenance of the product, or its operation beyond recommended specifications, or contingent or consequential loss or damage under any situation whatsoever.
All unauthorised modifications to the product automatically voids the conditions of this Warranty.*

**INDUSTRIAL
HYDRAULICS
PTY. LTD.**

10-14 MAUD STREET, NEWSTEAD, 4006
P.O. BOX 50, FORTITUDE VALLEY, 4006
Email: sales@industrialhyd.com.au

PHONE: (07) 3854 1232

FAX: (07) 3252 2346